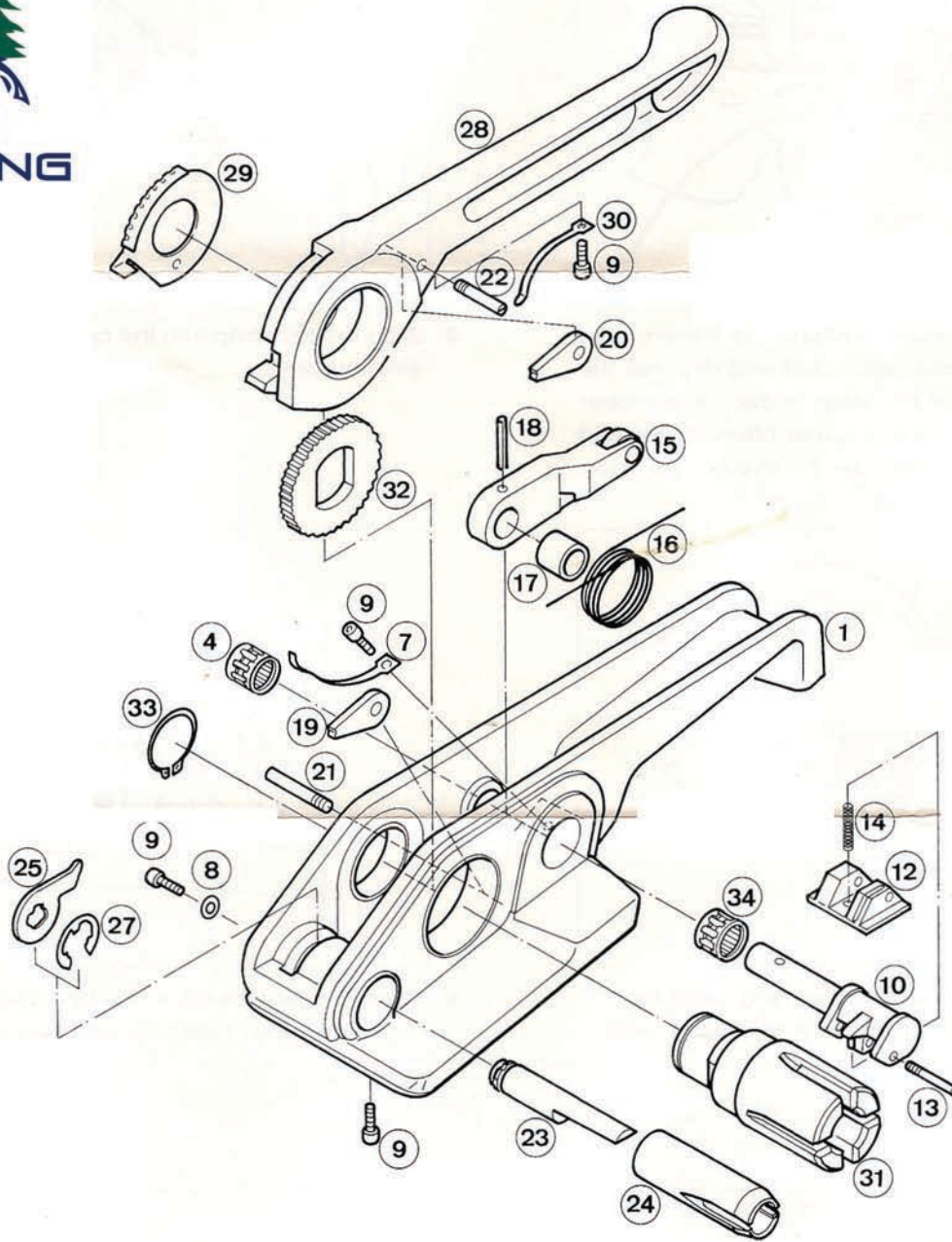




PRO-350 Windlass Tensioner



www.USAstrap.com

PARTS LIST

Part No.	Part Name	Qty./Tool	Part No.	Part Name	Qty./Tool
#1	Base	1	#20	Handle Toggle	1
#4	Hk10110 Ball Bearing	1	#21	Base Shaft	1
#7	Base Toggle Spring	1	#22	Handle Shaft	1
#8	Washer	1	#23	Cutting Blade	1
#9	Screw	4	#24	Cutting Housing	1
#10	Leg	1	#25	Cutter Cam	1
#12	Foot	1	#27	E Ring	1
#13	Foot Screw	1	#28	Handle	1
#14	Foot Spring	1	#29	Nose Hook	1
#15	Lever Release Assembly	1	#30	Handle Spring	1
#16	Main Spring	1	#31	Windlass	1
#17	Main Spring Bushing	1	#32	Ratchet Wheel	1
#18	Spring Pin	1	#33	Clip Ring	1
#19	Base Toggle	1	#34	Hk101410 Ball Bearing	1

Keep tool well oiled and clean. Please order parts by number and name.