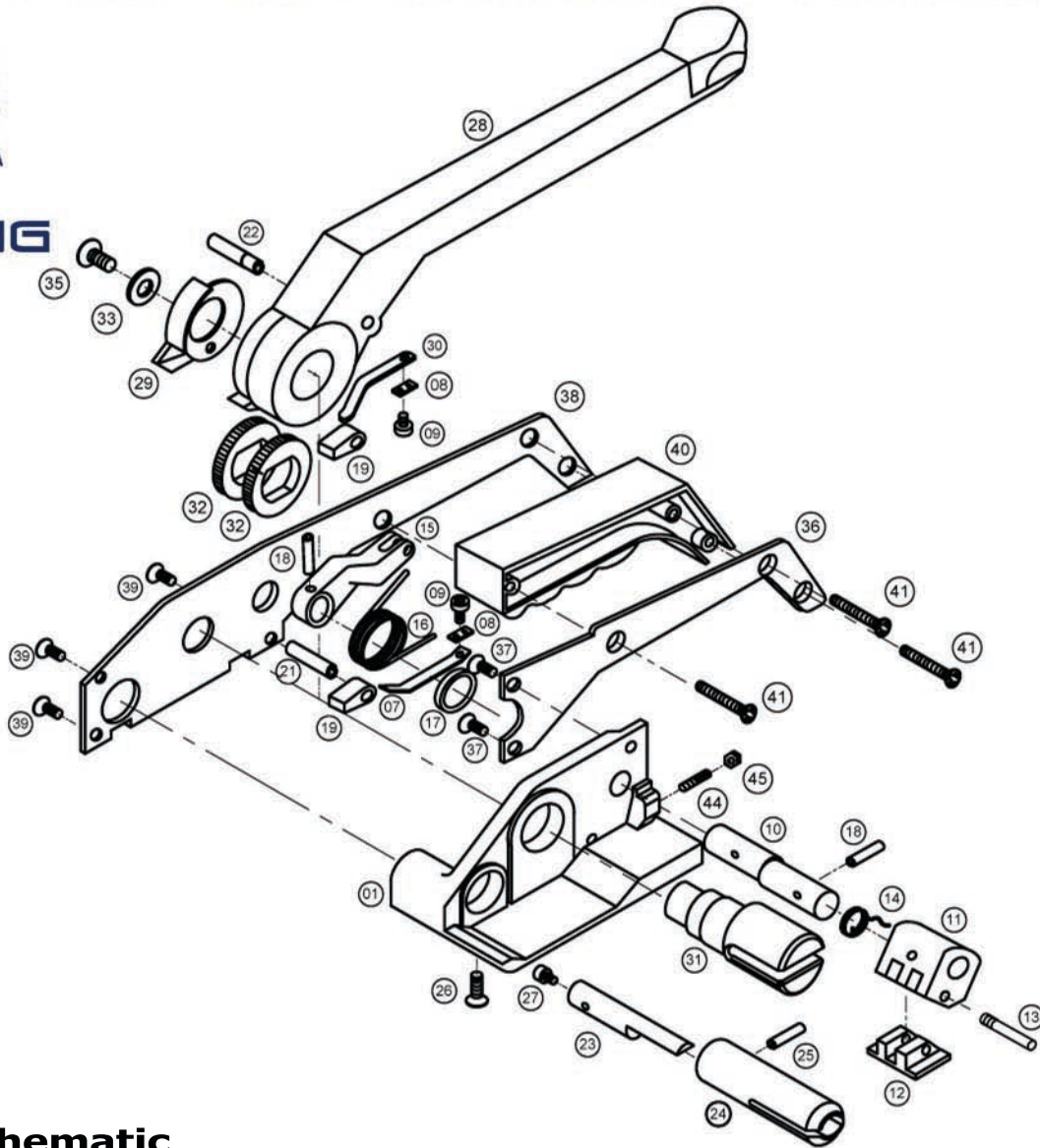




PRO-260 Windlass Tensioner



PRO-260 Schematic

Part No.	Part Name	Qty/Tool	Part No.	Part Name	Qty/Tool
01	BASE	1	25	BLADE LEVER	1
07	BASE TOGGLE SPRING	1	26	CUTTING HOUSING SCREW	1
08	WASHER	2	27	CUTTING BLADE SCREW	1
09	SCREW	2	28	HANDLE	1
10	LEG SHAFT	1	29	NOSE HOOK	1
11	LEG	1	30	HANDLE SPRING	1
12	FOOT	1	31	WINDLASS	1
13	FOOT SCREW	1	32	RETCHET WHEEL	2
14	SPRING	1	33	WASHER M8X23X1.5	1
15	LERER RELEASE ASSEMBLY	1	35	SCREW	1
16	MAN SPRING	1	36	HANDLE PLATE	1
17	WASHER	1	37	COUNTER SUNK SCREW	2
18	PIN	2	38	BACK PLATE	1
19	TOGGLE	2	39	COUNTER SUNK SCREW	3
21	BASE SHAFT	1	40	PLASTIC SPACER	1
22	HAND SHAFT	1	41	SCREW	3
23	CUTTING BLADE	1	44	SCREW	1
24	CUTTING HOUSING	1	45	NUT	1

Keep tool well oiled and clean. Please order parts by number and name.